



## CAST LEAD SASH WEIGHT



### LW Series Stackable Lead Sash Weight

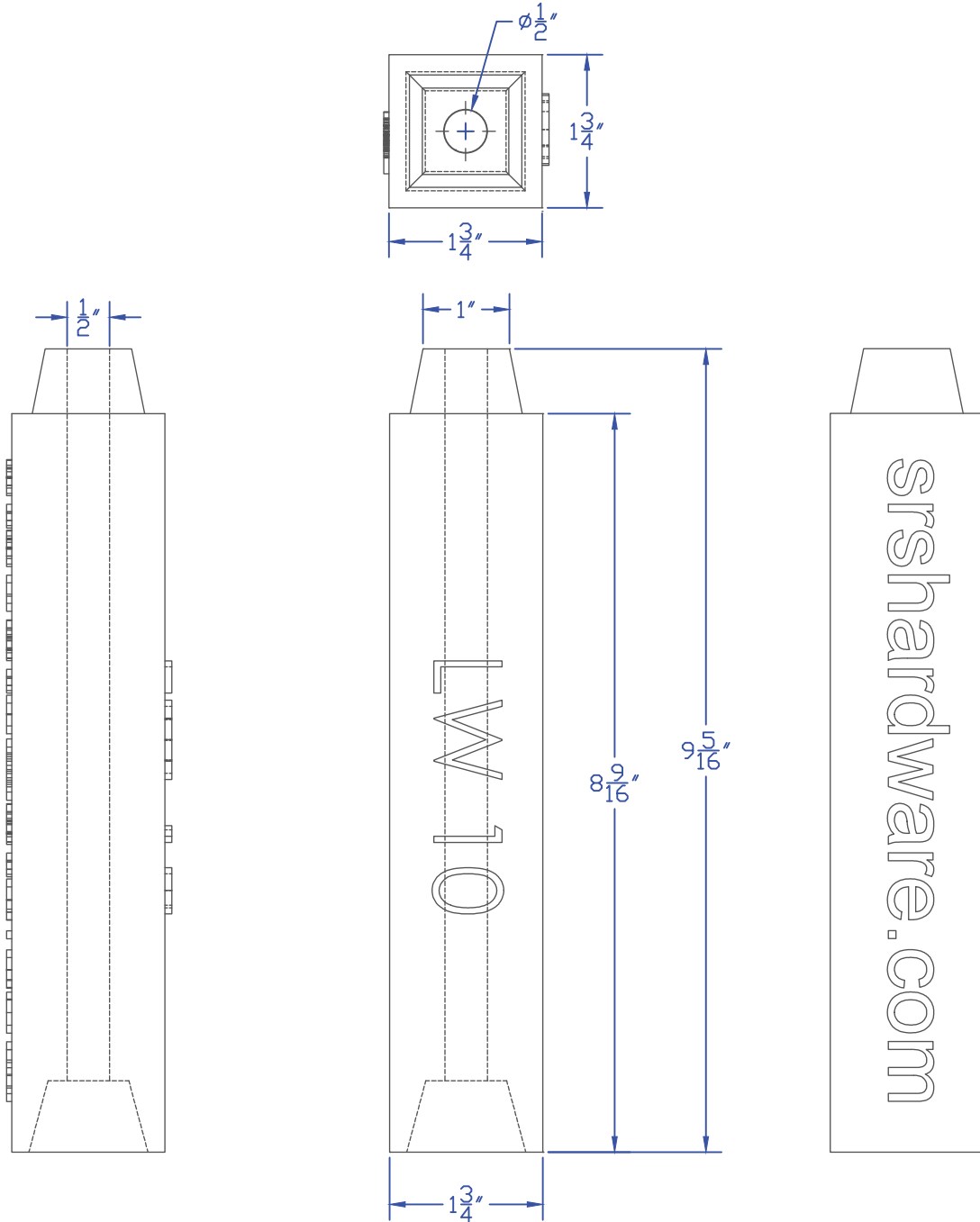
Situations requiring maximum weight in a limited space such as heavy, wide or insulated units call for SRS LW series 5 and 10 pound stackable lead weights.

These weights have a 1 3/4" square cross section and are 60% heavier than a similar sized cast iron weight. The stackable feature allows users to fine tune the weight and cost by combining them with our cast iron CW series 1, 3 and 5 lb weights.

Spec as: LW 10 2 and LW 5 4



## CAST LEAD SASH WEIGHT

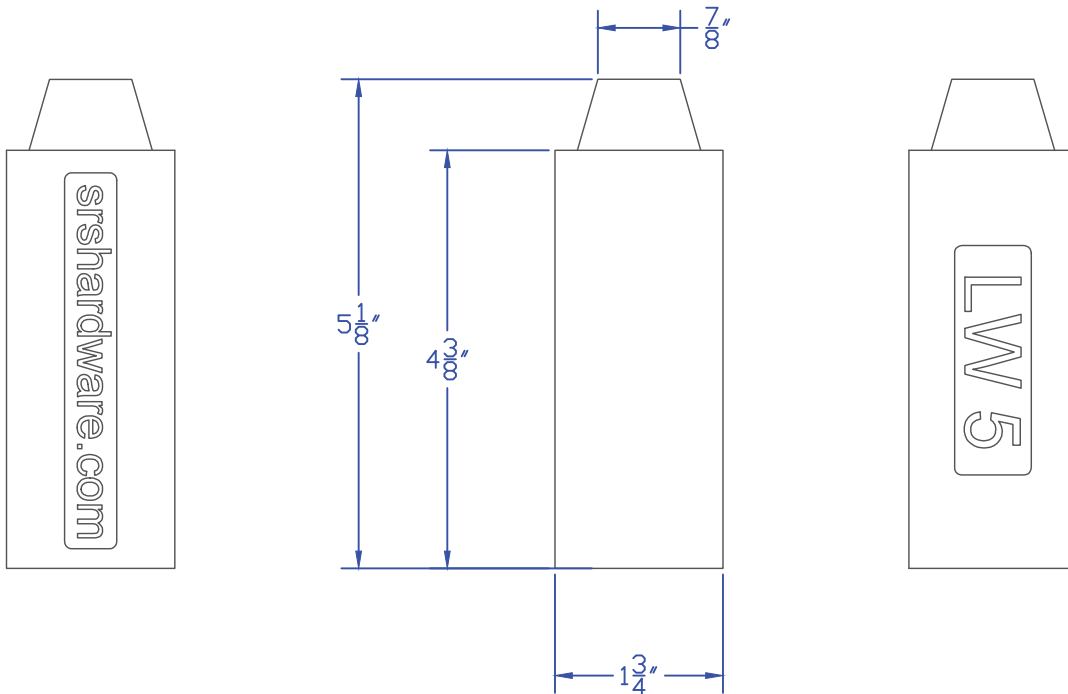
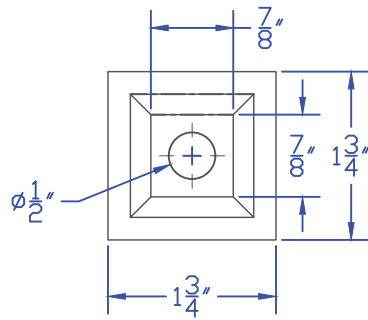


Scale 1:2

Spec as: LW 10 2



# CAST LEAD SASH WEIGHT



Scale 1:2

Spec as: LW 5 4