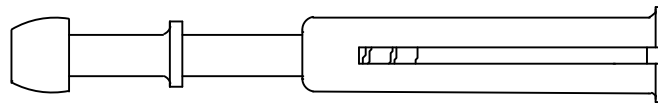
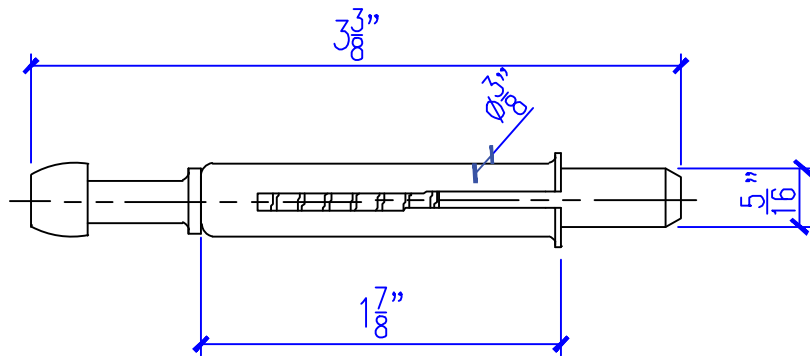




SPRING BOLT



Bolt shown in retracted position for clarity